

REU-PVA (Pressure Activated Valve)

Pressure activation valves (PVA's) can be used to manifold 2 to 5 Rinnai water heaters in order to produce a stable water temperature and allow the water heaters to run efficiently. PVA's can be used to manifold indoor or outdoor models.

SPECIFICATIONS

Default Activation Pressure 35 kPa (5.08 PSI)

Materials

Housing copper alloy
 Spring and disc stainless steel
 Diaphragm heat resistant and durable rubber

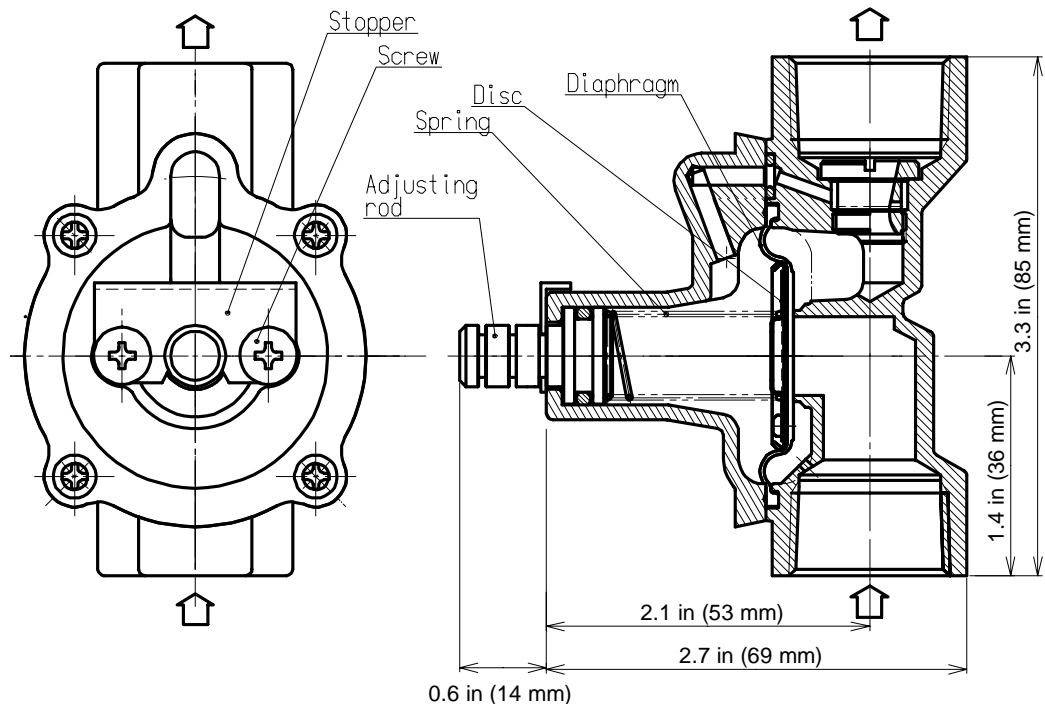
Connection 3/4 NPT

Heat Resistance Max 158°F (70°C)

Maximum Water Pressure 1.75 Mpa (254 PSI)

Type of Fluid water only

DIMENSIONS



SETTINGS

In a manifolded system, PVA valves will be installed on all but one unit. Set adjusting rod to a different activation pressure, except on the 4th and 5th unit. This allows each unit to come on as necessary to meet the demand for hot water. Set the activation pressure on the second unit to its lowest activation point. Set the third unit to the second lowest activation point, and so forth. If 5 units are manifolded then set the 4th and 5th unit to the same activation point.

