

903000015 CONVERSION KIT INSTRUCTIONS

SE Series (Models RSE1S50XX and RSE2S50XX) NG TO LPG

TOOLS REQUIRED: 11/16" or 19mm Box Wrench
Slot or Flat Screwdriver
1/4" Nut Driver



WARNING: This Kit to be installed only by a qualified service agency.

IMPORTANT:

- The gas supply shall be shut off prior to disconnecting the electrical power, before proceeding with the conversion
- If for any reason you choose to remove the **Orifice Holder**, make sure it is carefully set and remounted back onto the venturi in **perfect centre alignment** before securing with screws. Failure to do so could result in poor combustion or damage to the heater.

Service Access - Gas Components

Handle parts carefully to avoid scratching or damaging the surface finish:

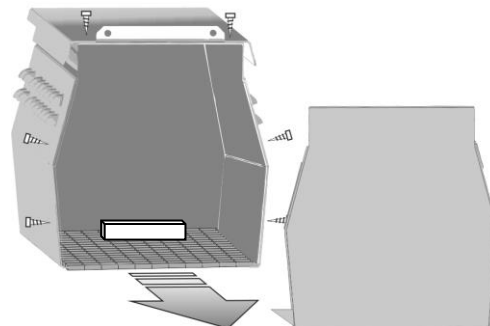
- Remove four sheet metal screws that hold the end service access panel in place
- Remove two sheet metal screws that hold bottom access screen in place
- Component parts are accessible for gas conversion



Remove Service Access Panel & Screen

Service Access – Pilot Burner Assembly

- Remove six sheet metal screws that hold the burner end plate in place (end opposite the Gas Component access)
- Remove end plate from heater assembly
- Slide screen frame from heater assembly
- Pilot Burner Assembly is accessible for service

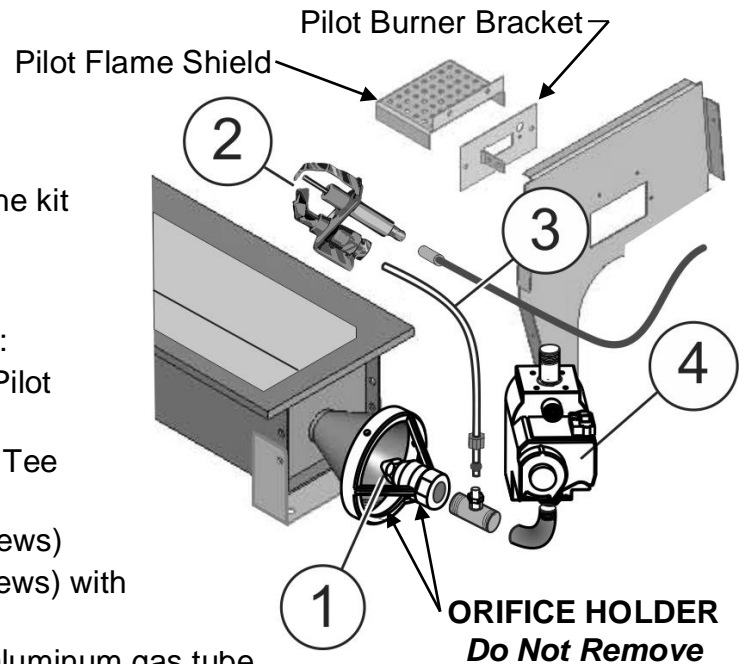


1. CHANGE MAIN GAS ORIFICE

- Remove the **# 31 NG Orifice** in a counter clockwise rotation using an 11/16" or 19mm box wrench.
- Install the **# 46 LP Orifice** supplied with the kit firmly in place, **do not over tighten.**

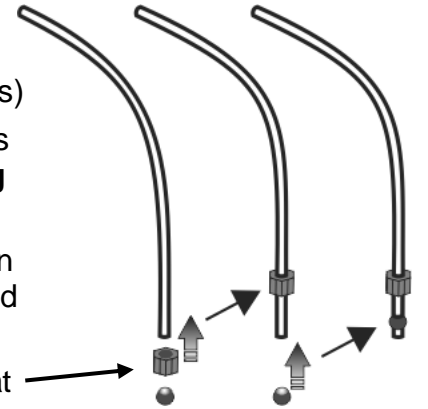
2. CHANGE PILOT BURNER ASSEMBLY

- Disassemble NG Pilot Burner from heater:
 - Disconnect spark ignition cable from Pilot spark electrode
 - Disconnect aluminum gas tube at the Tee connection downstream of valve
 - Remove the Pilot Flame Shield (2 screws)
 - Remove Pilot Bracket (2 machine screws) with Pilot Burner Assembly
 - Remove Pilot Burner Assembly with aluminum gas tube from Bracket (2 screws)



3. Re-assemble New LPG Pilot Burner and gas tube in heater:

- Assemble Pilot Burner to Bracket (2 machine screws)
- Re-install Pilot Bracket with Pilot Burner into heater (2 screws)
- The next steps instruct in assembly of the new aluminum gas tube: **Use caution not to kink the gas tube while handling and installing**
- The pilot gas tube is pre-bent to shape; locate the gas tube in heater to establish which end attaches to the pilot burner, and which end to the gas supply at the pilot Tee connection
- Install female ferrule nut and ferrule onto end of gas tube that will connect to the gas supply at the pilot Tee connection
- Insert the bare end of new aluminum gas tube fully into the Pilot Burner, and insert the end with the female ferrule nut fully into the pilot Tee connection – do not kink the gas tube during handling
- Tighten ferrule nut into Pilot Burner: during the first full rotation of the ferrule nut, you will feel (through the wrench) the ferrule break free of the nut. Continue to tighten ¼ to ½ turn after the ferrule breaks free to secure and seal the gas tube in place
- Tighten the female ferrule nut onto the gas supply pilot Tee connection to secure and seal the gas tube in place
- Leak check all connections of the pilot gas tube during the next step when gas valve is converted
- Re-connect spark cable to Pilot spark electrode



4. Convert the Combination Gas Valve: Refer to Instruction sheet included with the **Honeywell** valve conversion kit

5. Affix **Valve Conversion Sticker** to the valve.

6. Print Date, Company Name & Address on **Conversion Kit Rating Plate** and affix the plate to the heater in the proximity of the CSA rating plate

Return to General Instructions and complete all steps of leak testing and commissioning.

