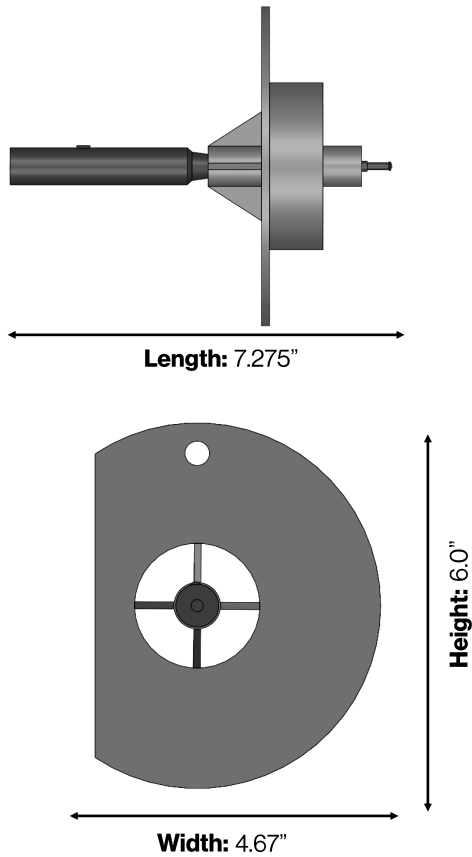




Laser Vent Guide Instructions



SPECIFICATIONS

Item	Laser Vent Guide Kit
Part Number	103000121
Purpose	To simplify tankless water heater or condensing boiler installations by identifying the correct termination hole location.
Designed For	Any Rinnai America Tankless Water Heater or Condensing Boiler that utilizes 2" PVC, 2"x4" Concentric Vent, and 3"x5" Concentric Vent pipe.
Weight	4 lb / 1.8 kg (Assembled)

Laser Guide Components

The Laser Vent Guide consists of the following three components:

Laser Vent Guide

Laser Sight

Laser Holder Screw



Assembly

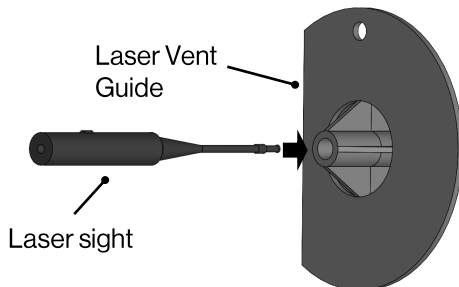
You Will Need:

- Laser Vent Guide, Laser Sight, and Laser Sight Holder (included in purchase).
- Vent Elbow (field-supplied).

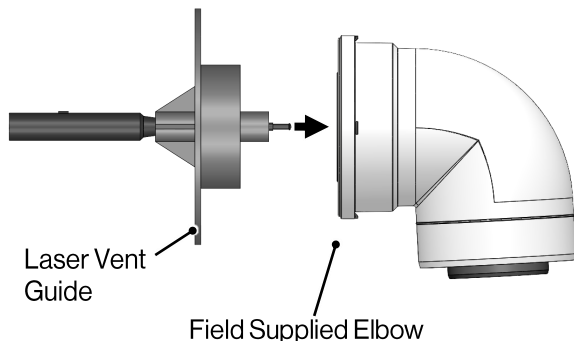
- 1** Loosely thread the Laser Holder Screw, that fits into the inside of the Vent Guide, into the Laser Sight. Do not tighten the screw.



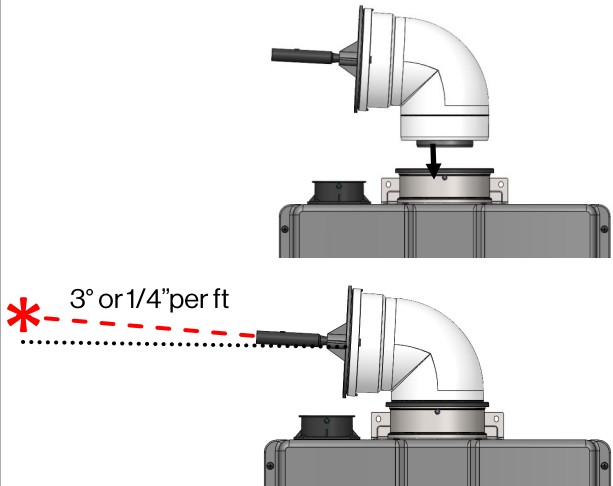
- 2** Insert Laser Sight into the Laser Vent Guide. Tighten Laser Holder Screw once fully inserted.



- 3** Insert Laser Vent Guide with Laser Sight into the field supplied elbow.



- 4** Insert Elbow and Laser Vent Guide Assembly into the appliance and turn on laser.



ADVISORY:

- When using PVC venting ensure to follow vent slope of 1/4" per linear foot. Measure from the laser point on wall and add as needed per job.
- When using Concentric vent components there is a compensated pitch put into the fittings from manufacturer.



Installation must conform to the "Rinnai Tankless Water Heater Installation and Operation Manual" or the "Rinnai Condensing Boiler Installation and Operation Manual" that is shipped with the unit (or available online at www.rinnai.us or www.rinnai.ca), local codes, or in the absence of local codes, with the National Fuel Gas Code, ANSI Z223.1/NFPA 54.