

Water Flow Servo

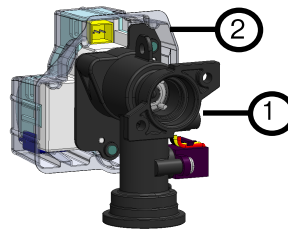
REPLACEMENT INSTRUCTIONS

For Use With Rinnai Tankless Water Heater Models: RE140i, RE140e, RE160i, RE160e, REP160i, REP160e, REP199i, REP199e

Items Inside Product Box

Before installation, please make all parts are located inside the product box.

Item #	Item	Qty
1	Water Flow Servo Assembly	1
2	Cover	1
3	Clip (Image Not Shown)	1

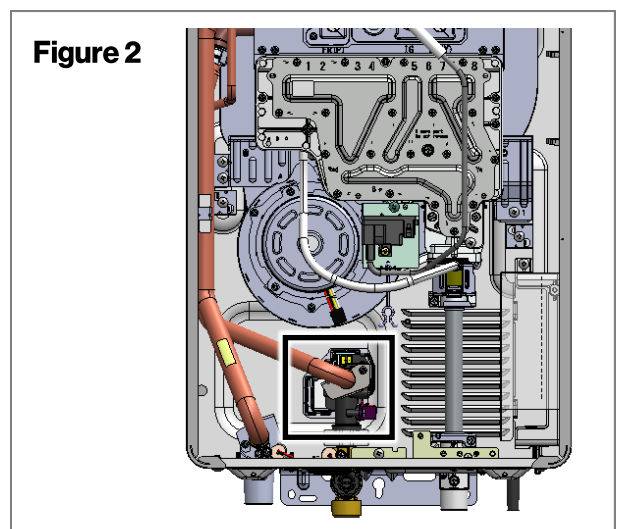
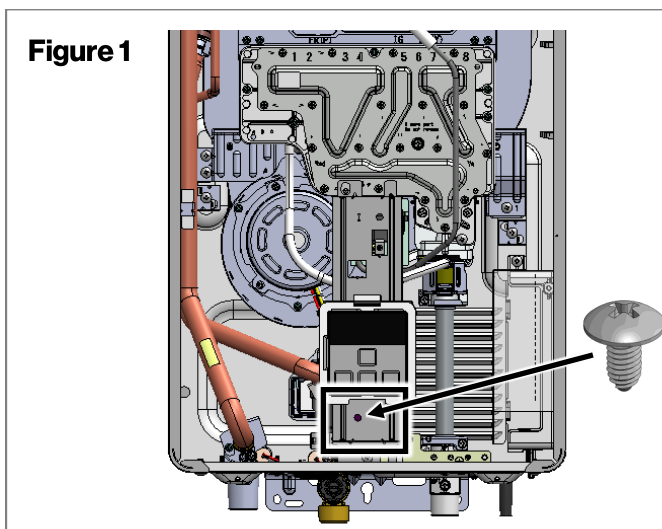


TOOLS/MATERIALS REQUIRED Phillips head screwdriver

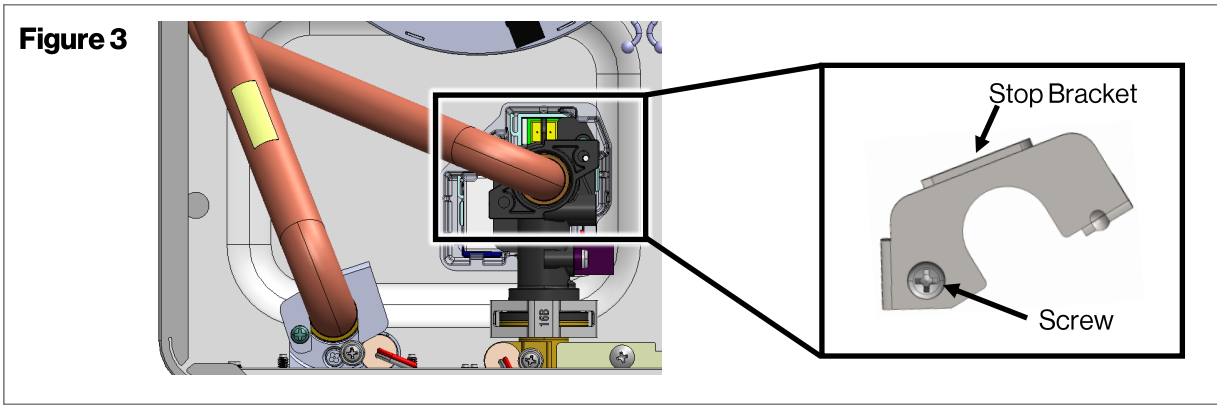
Instructions

IMPORTANT: When following the instructions below, inspect any existing O-rings carefully, taking care not to scratch, damage, or misplace the O-rings.

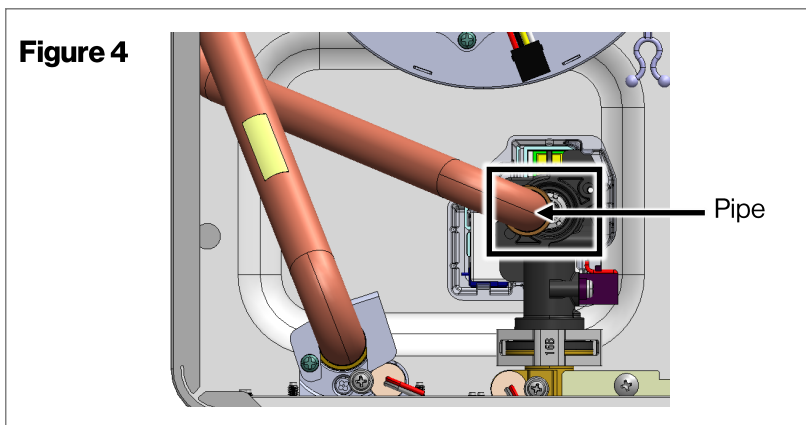
1. Turn off and disconnect 120 V power supply.
2. Turn off water supply.
3. Turn off gas supply.
4. Release pressure and drain water from water heater.
5. Remove the front panel.
6. Remove the one screw securing the controller assembly to the water heater (Figure 1).
7. Position the controller to gain access to the water flow servo assembly (Figure 2).



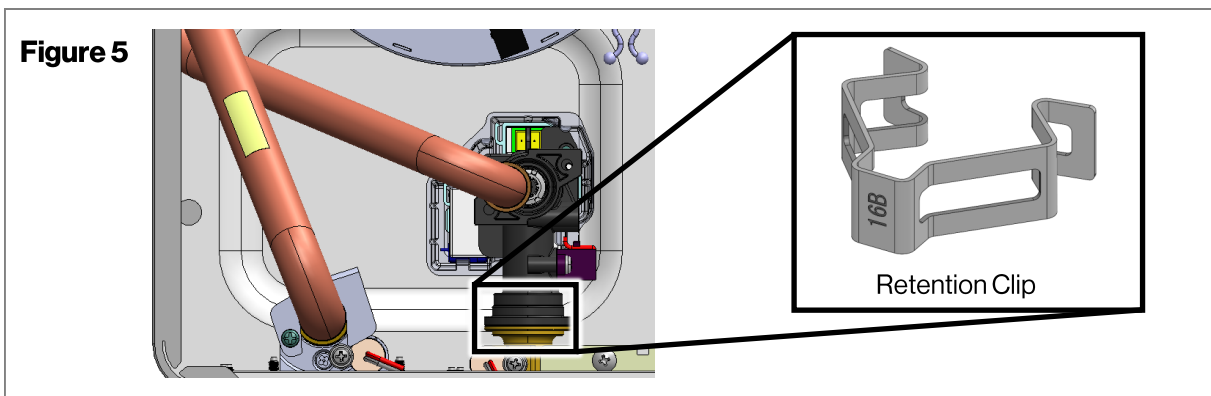
8. Remove the screw and stop bracket connecting to the pipe to the front of the water flow servo assembly (Figure 3).



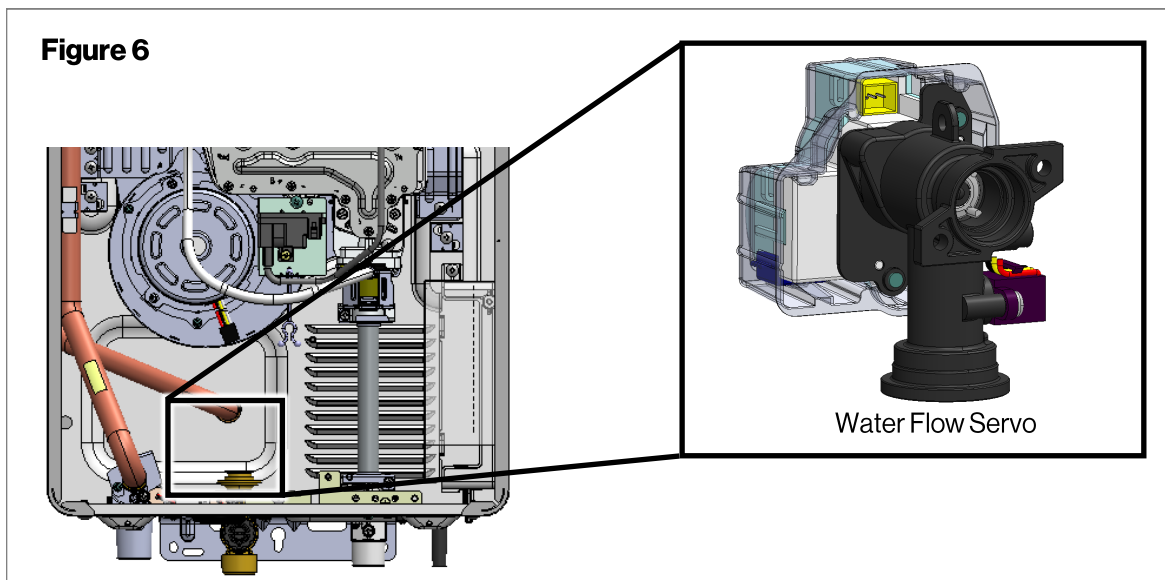
9. Remove the pipe from the water flow servo assembly (Figure 4).



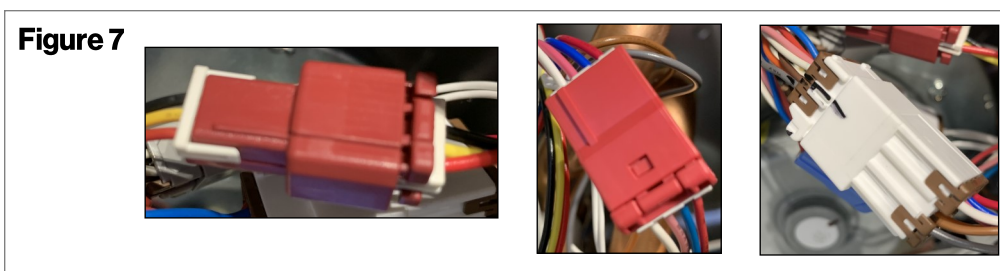
10. Remove the retention clip connecting the water flow servo assembly to the water inlet (Figure 5).



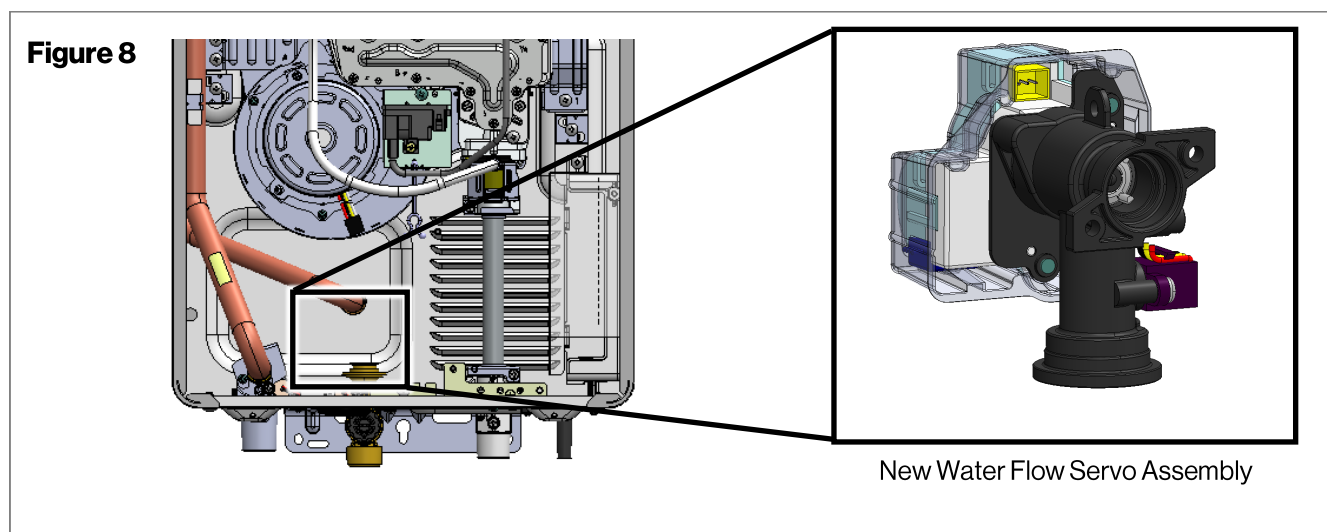
11. Pull the water flow servo assembly out to gain access to the wire harnesses (Figure 6).



12. Disconnect the three wire harnesses and thermistor harness (Figure 7).

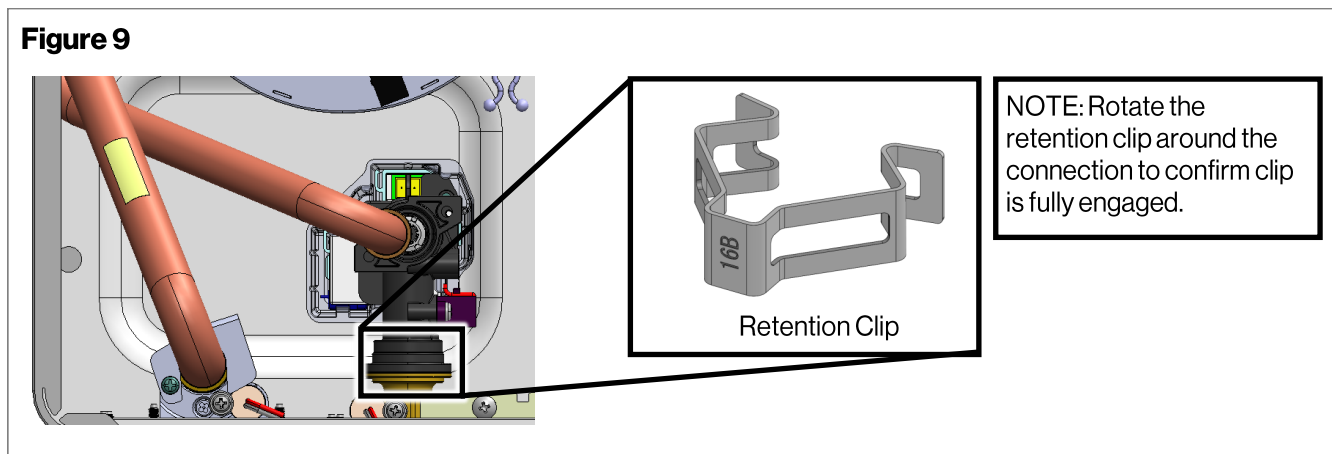


13. Position the new water flow servo assembly to gain access to the wire harnesses (Figure 8).



14. Reconnect the three wire harnesses and thermistor harness (Figure 7 above).

15. Assemble the new water flow servo assembly to the water inlet and secure with retention clip (Figure 9).



16. Reinstall the pipe to the new water flow servo assembly (Figure 4).
17. Reinstall the screw and stop bracket connecting to the pipe to the front of the new water flow servo assembly (Figure 3).
18. Assemble the controller assembly and secure assembly to the water heater (Figure 1).
19. Reconnect and turn on 120 V power supply, water supply and gas supply.
20. Check the operation is working correctly.
21. Perform leak detection test for water.
22. After all checks have been successfully completed, reinstall the front cover.