

ATTENTION: INSTALLING PERSONNEL

KEY POINTS FOR A SUCCESSFUL INSTALLATION

BEFORE PROCEEDING

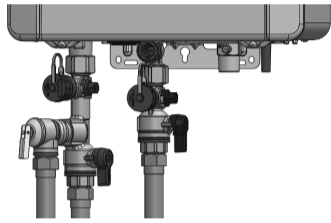


Read the Installation and Operation Manual before you proceed.

- Use the Installation Checklist in the Installation and Operation Manual after completing the installation.
- Refer to the "Water Quality Guidelines" section in the manual for important water quality information.
- Pay close attention when unpacking the water heater carton box as the packing includes additional components.
- Confirm all included parts are located inside the water heater carton box (refer to the water heater manual for a full list of parts).

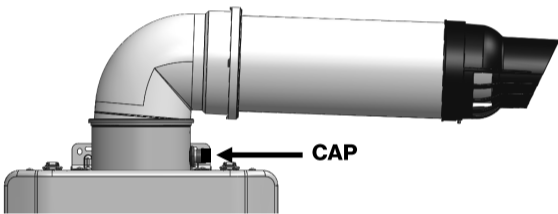
ISOLATION VALVES

- Service valve are recommended on all installations.
- Purge water line of air and foreign material by closing the hot isolation valve and opening the cold isolation valve and its drain valve.
- Clean the filter after purge. Debris will damage the water heater.

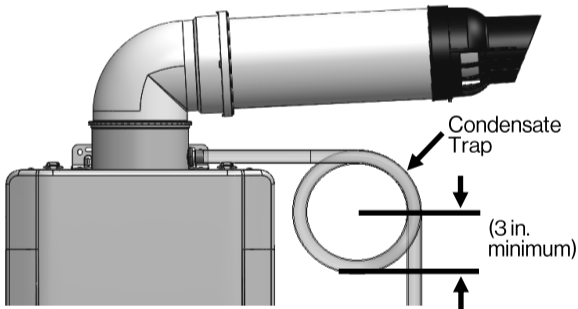


CONDENSATE

- **DO NOT** allow condensate to enter the water heater.
- If the condensate collector is not used, the supplied cap must remain installed to prevent exhaust gases and condensate from entering the building. In such an instance, slope the venting 1/4 in. per foot away from appliance.



- The condensate collector and condensate trap should be used for all combination domestic/ hydronic heating applications, vertical terminations or horizontal terminations if a vertical rise in the vent system exceeds 5 ft.



PUMP OPERATION

For REP models, learning mode is the factory default setting for recirculation. Learning mode allows the water heater to identify when hot water is used, and then operates recirculation on subsequent days to reduce wait time for hot water.

If a fixed recirculation schedule is desired then installation of an MC-195T-US Timer/controller or controlr™ Wi-Fi Module is required.¹



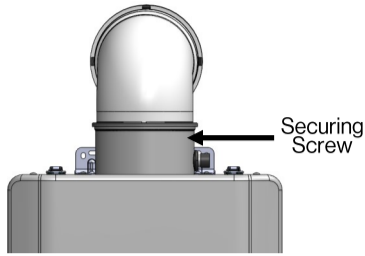
Note: Recirculation parameter setting 04 must be set to your circulation mode. See "Parameter Settings" section in this document for more information.

Temporary pump operation can be initiated by resetting power to the appliance.

¹DO NOT install the controlr™ Wi-Fi Module and MC-195T-US together as they are NOT compatible accessories.

VENTING (For Indoor Models Only)

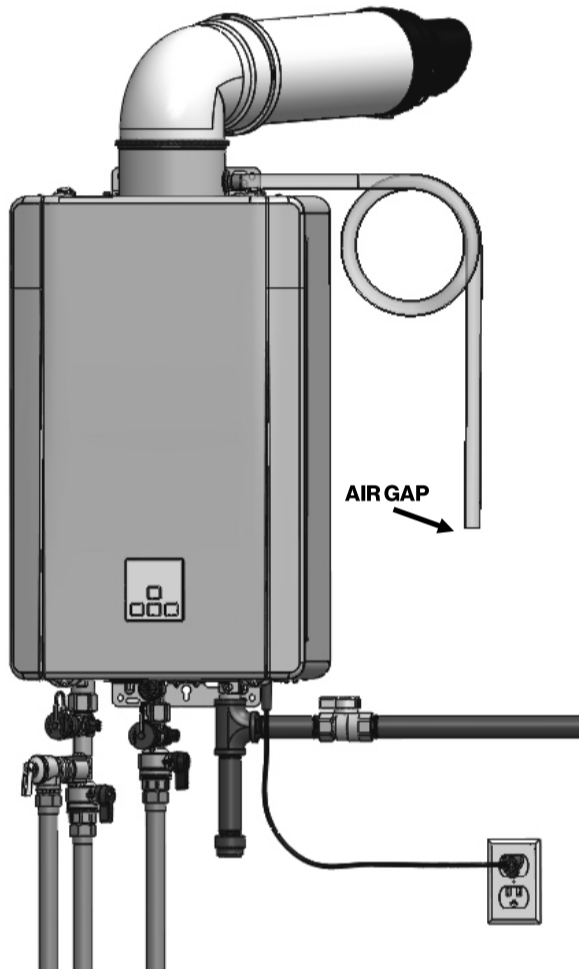
- Do not use plastic venting intended for non-condensing appliances.
- Ensure vent pipe slopes 1/4 in. per ft. away from water heater.
- Ensure vent system doesn't exceed maximum length allowed.



Refer to the Installation and Operation Manual for complete details on the above information.

TYPICAL INSTALL

Example Indoor Unit



RECIRCULATION PUMP

ThermaCirc360™ REP199i/e and REP160i/e Models Only

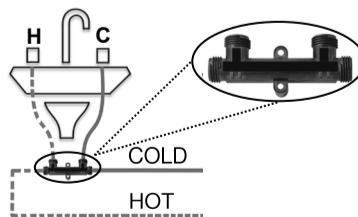
Select the appropriate recirculation mode (Dedicated or crossover) in the parameter settings.

Dedicated mode (parameter setting 04b):
Determine maximum pipe length.

Crossover mode (parameter setting 04c):

Maximum Pipe Length		
Pipe Diameter	3/4 in.	1/2 in.
Total	400 ft	100 ft

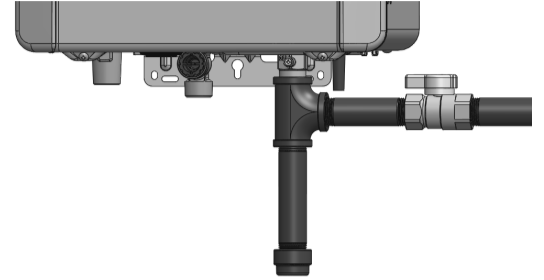
Install crossover valve at the furthest fixture from the tankless water heater.



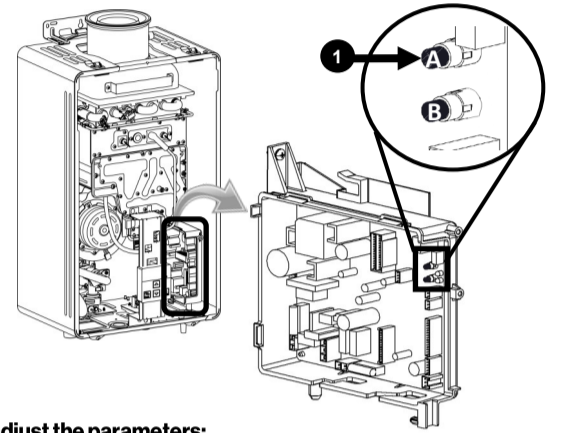
NOTE: To remove air, drain the water during pump operation. If the air is not fully removed, the pump could run dry.

GAS

- Purge gas line of air and foreign material; this is especially critical for new propane gas tank installations.
- Confirm inlet gas pressure is within the listed value on the rating plate.

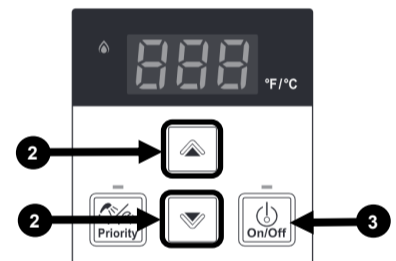


PARAMETER SETTINGS



To adjust the parameters:

1. Press the "A" button for 1 second.
2. Use the ▼ and ▲ button on the controller to select a setting number (See Parameter Settings Table below).
3. Once the desired setting number is selected, use the "On/Off" button on the controller to change the selection for the setting number.
Example: Display will change from 01A to 01B for Maximum Temperature setting.
4. To exit the parameters, press the "A" button on the PC board for 1 second.



Parameter Settings Table²

SETTING #	SETTING DESCRIPTION	SELECTION			
		R	b	C	d
01	Maximum Set Temperature	120°F	140°F		
02	High Altitude (Installation Location)	0-2,000 ft (0-610 m)	2,001-5,400 ft (610-1,646 m)	5,401-7,700 ft (1,646-2,347 m)	7,701-10,200 ft (2,347-3,109 m)
03	Service Soon	Disabled	0.5 Year	1 Year	2 Years
04	Recirculation Settings	No Recirculation	Recirculation (Dedicated)	Recirculation (Crossover)	
05	Recirculation Mode	Economy	Comfort		
06	Control Switch	BMS	Air Handler (AH)		
07	Units in Standby	2	1		
10	Gas Type	LPG	NG		
12	Factory Set Values	Without Pump	With Pump		
13	Not Adjustable	199/160	180/140		
14		Indoor	Outdoor		
15	Low Activation Mode	On	Off		
16	Pump Capacity	Max	High	Medium	Low
17	Continuous Recirc Logic	Off	On		
18	Setting Temperature Table	Default	Alternate		
19	Adjust DHW Temperature Setting	0°F (0°C)	1.8°F (1°C)	3.6°F (2°C)	5.4°F (3°C)
99	Vent Length	Long	Short		

²Some parameter settings are not available for all models. Refer to the installation and operation manual for complete model-specific parameter settings.