



Installation instructions / Instrucciones de Instalación/ Instructions pour l'installation



US

Rolux® Condensing Vent System

P1/12

The installation instructions should be kept with the appliance for maintenance.

ES

Sistema de ventilación Rolux® Condensación

P13/24

Las instrucciones de instalación deben guardarse con el aparato para su mantenimiento.

F

Rolux® Vent System a Condensation

Pour une traduction complète du manuel en français, vous pouvez le télécharger du site Web

Ubbink bv
NL – 6984 AA
Doesburg
The Netherlands
T + 31 (0) 313 480 200
rolux@ubbink.nl
www.ubbink.com



ULc S636 Gas Vent-BH Class IIC—110°C/230F*

*where applicable

WARNING

Improper installation of vent system and components, or failure to follow all installation instructions, can result in property damage or serious injury.

10000072600 18/01 Version 3.0

Contents (US)

Introduction	2
Installation Requirements	3
Approvals/codes	3
Do not use with other vent products	3
Inspection	3
Condensate	3
Recommended venting air intake terminal position	4
General Installation Instructions	4
Joint connection	4
Coping with condensation	4
Appliance connection	5
Shortening of vent extensions	5
Installation Instructions Horizontal Discharge Vent System	6
Identify the vent location	6
Measure dimension to fit	6
Measure dimension to fit , adjust the termination to length	7
Final installation of the vent system	7
Installation Instructions Vertical Discharge Vent System	8
Identify the vent location	8
Adjust the termination to length	8
Mounting the vent system	9
Parts & dimensions	9
Vertical Discharge Vent System Installation Examples	11
Horizontal Discharge Vent System Installation Examples	12

Instrucciones de instalación (ES)

13/24

Introduction

- The **Ubbink Rolux® condensing** concentric vent system is considered part of the **Rinnai®** direct vent tankless water heater.
- The **Ubbink Rolux® condensing** concentric vent system was tested and approved with the **Rinnai®** appliance by a third party testing agency.
- Check the manufacturer’s installation instructions or certificate of compliance to confirm that the **Ubbink Rolux® condensing** concentric vent system is approved for your direct vent tankless water heater.
- The **Rinnai®** tankless water heater installation instructions take precedence over this document.
- Always refer to the appliance installation instructions before proceeding with the installation of this product.

Installation requirements

Installation and service of Ubbink Rolux® concentric vent systems must be performed by a qualified installer, service agency or the gas supplier.

Approvals/codes

The installation must conform with local codes or, in the absence of local codes, the National Fuel Gas Code, ANSI Z223.1/NFPA 54 and/or CSA B149.1, Natural Gas and Propane Installation Code.

The maximum vent length, as stated in the water heater installation instructions and these instructions, should never be exceeded.

Do not use with other vent products

Ubbink Rolux® condensing vent systems must be used throughout the entire vent system. Do not use vent components from other vent manufacturers when using the Ubbink Rolux® condensing vent system. Unless approved by the appliance manufacturer, do not connect this Ubbink concentric condensing vent into a common vent system.

Inspection

Before installation inspect each vent component for damage and correct seal placement. Do not attempt to fix or install any damaged vent components.

Condensate

Slope horizontal venting 1/4 inch per foot (25 mm/m) either toward the appliance with an integrated condensate collector or toward the exhaust terminal (*Ubbink prefers pitching the vent 1/4 inch per foot (25mm/m) towards the appliance with a condensate collector*).

- a) The vent system should be inspected annually for signs of damage or condensate leaks. If the vent system appears damaged the appliance must be turned off and the vent system repaired.
- b) Refer to local code for horizontal termination above a public walkway, driveway or area where condensate or vapor could create nuisance or hazard.
- c) Ice can develop in regions of cold climate. A 1/4 inch per foot pitch to the appliance with the use of the condensate collector is recommended (*Ubbink can not be held liable for personal injury or property damage due to ice formation*).



WARNING

The Ubbink Rolux® Condensing Vent System was tested and approved with the appliance for a maximum flue gas temperature of 230F (110°C). Do NOT use this system on any other appliance.

Recommended vent/air intake terminal position

Ubbink refers to the appliance installation instructions and/or national and local codes such as ANSI Z223.1 / NFPA 54 or CGA-B149 for the correct position of the vent and air intake position.*

The tankless water heater installation instructions take precedence over this document.

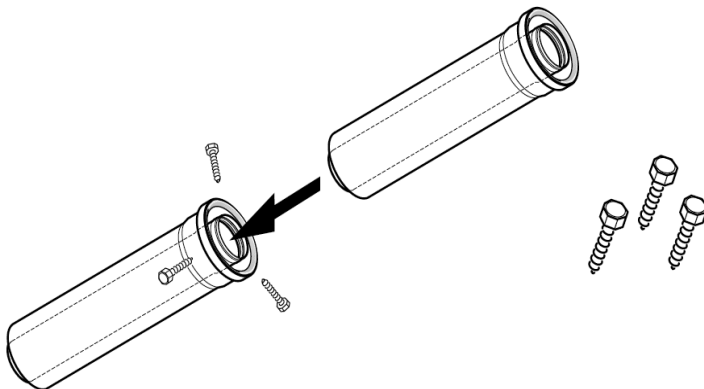
Terminals should be so positioned as to avoid products of combustion entering openings into buildings or other flues or vents.

The Ubbink Rolux White Vent extension material is primarily designed for indoor use. If used outdoors the material should be protected for UV-radiation (direct sunlight).

* For clearances not specified in ANSI Z223.1 / NFPA 54 or CGA-B149, please use clearances in accordance with local installation codes and the requirements of the gas supplier.

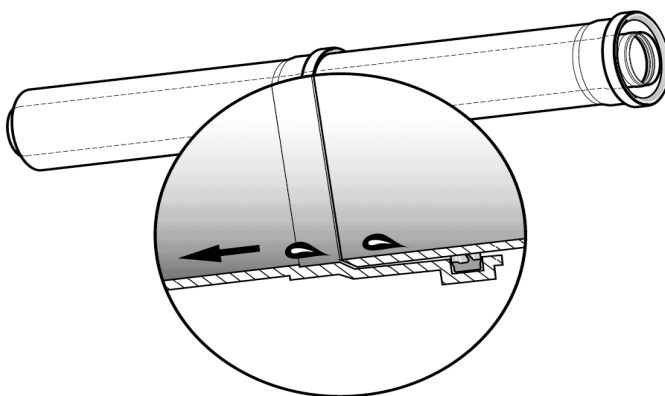
General Installation Instructions

Joint connection



Vent connections must be firmly pressed together so that the gaskets form an airtight seal. To ensure optimum joint connection, it is recommended to secure with three #8x1/2in. self tapping screws. Secure the vent to the wall or ceiling with pipe clamps or perforated hanger iron. Vent connections extending beyond the outside of a building or structure should be enclosed to protect seals and gaskets.

Coping with condensation



Horizontal vent lengths must pitch a minimum 1/4 in. /ft. (25mm/m) or (1°) to the appliance.

NOTE

See exception under Condensate on page 3.

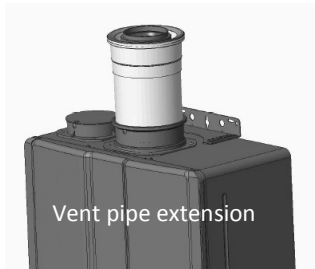
WARNING

Improper installation of vent system and components, or failure to follow all installation instructions, can result in property damage or serious injury.

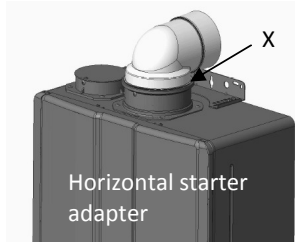
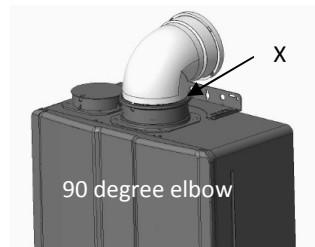
Appliance connection 3/5 and 2/4 system

3/5 (80/125) system

2/4 (60/100) system



Insert the male end of a vent component into the female appliance top. Secure the connection with the supplied #8x1/2 in. self tapping screw



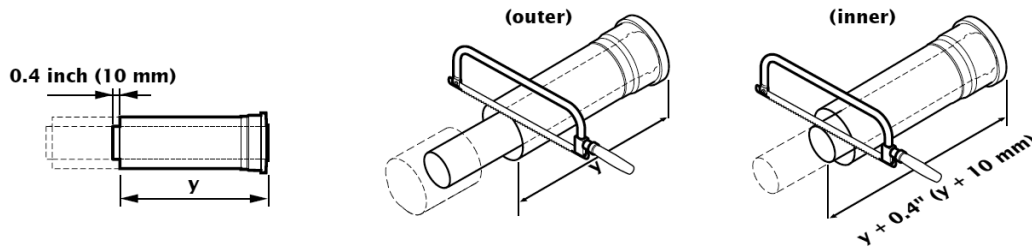
NOTE

The molded line on the male end of the elbow (x) indicates the proper insertion depth into the appliance top.

Shortening of vent extensions

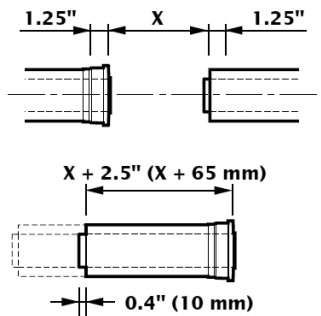
The grey inner pipe should always extend 0.4 in. (10 mm) beyond the white outside pipe on the male end of the vent extension.

Always cut the male end of the vent pipe extension. Do not attempt to cut the female end.



Pipes overlap by 1.25 in. (32 mm). Therefore when cutting to size, add $2 \times 1.25 = 2.5$ in. (65 mm) to the extension pipe length (X) needed for installation.

Deburr the sharp edges, other wise the gaskets might get damaged, which can result in the system no longer being air tight.



WARNING

With the termination of the vent system a bag with special Ubbink branded Lubricant is supplied. That lubricant, or water, is the only approved lubricant for the lubrication of the (green) flue seals. Do not use fat/grease/soap or other substances as these can damage the seals, resulting in malfunctioning of the vent system.

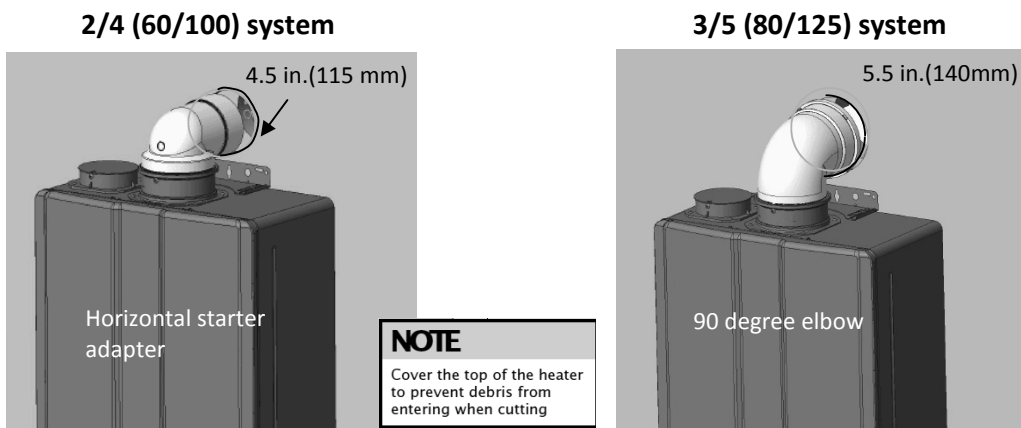
Installation Instructions

Rolux® Condensing Horizontal Discharge Vent System

Identify the vent location

- Place the 90 degree vent pipe elbow or horizontal starter adapter on the appliance.
- Mark position on wall
- Or use template provided with water heater
- Cut hole, covering the top of the waterheater to prevent debris from entering.

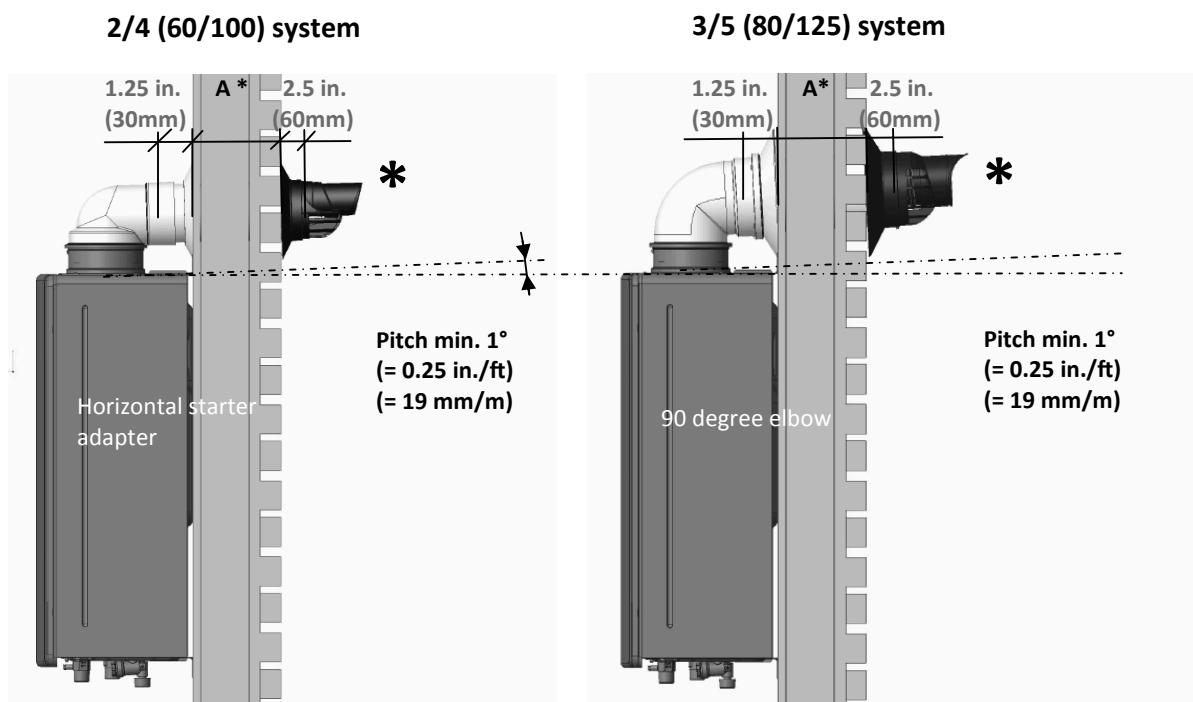
For the 3/5 (80/125) system the hole is minimum 5.5 in. diameter (140mm) , for the 2/4 (60/100) system the hole is minimum 4.5 in. diameter (115 mm)



Measure dimension to fit

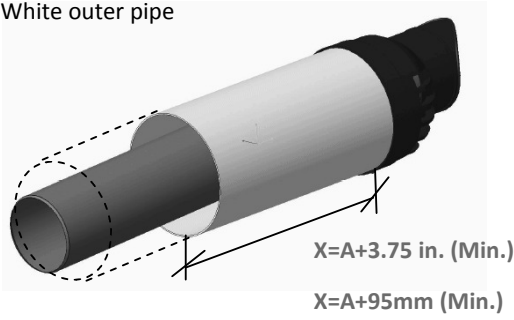
Reference page 4 of these installation instructions for the acceptable pitch direction.

- Refer to page 7 to adjust the terminal to correct length, for wall thickness indicated with A..
- Note: When the terminal protrudes more from the wall then prescribed, this can effect the performance of the product. The white section of the terminal is not intended to be visible outdoors.

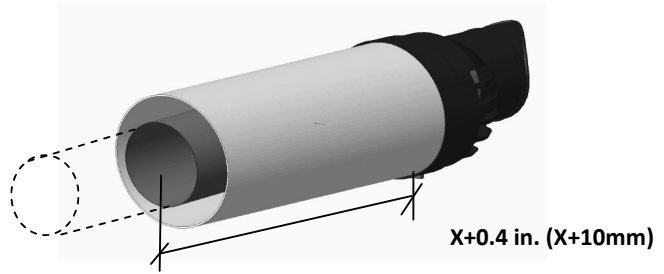


Measure dimension to fit, adjust the termination to length

White outer pipe

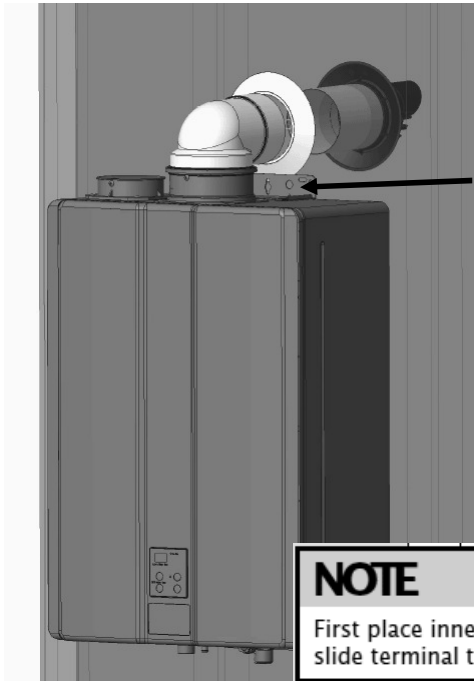


Grey inner pipe



Note: Deburr the sharp edges, other wise the gaskets might get damaged, which can result in the system no longer being air tight.

Final installation of the vent system



- a) After cutting the appropriate length, slide the horizontal through the hole in the wall. Position the first rubber wall plate around the male end of the termination.
- b) Slide the male end of the termination in the Horizontal Discharge Adapter.
- c) Fill the gaps between the wall and the vent pipe penetration with a weather proof sealant.
- d) Finally, position the second rubber wall plate around the vent pipe, between the termination and the exterior wall.

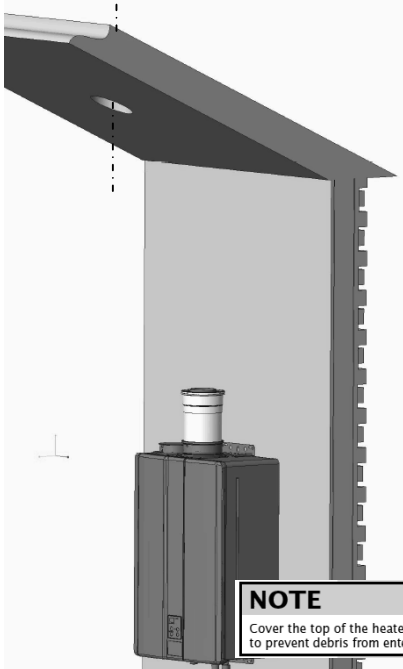
NOTE

First place innerwall plate to slide terminal through

Installation Instructions

Rolux® Condensing Vertical Discharge Vent System

Identify the vent location

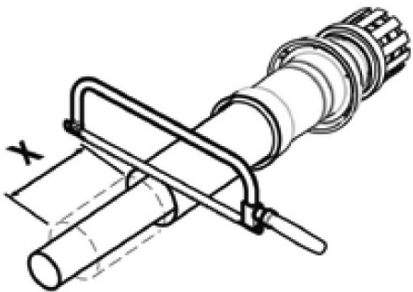


Determine the location where the roof discharge terminal will be installed. Taking into account the angle of the roof, cut the hole with a dimension that allows the vertical discharge roof terminal to be installed

- 6"x6" 150x150 mm hole for flat roof,
- 9"x6" 225x150 mm hole for 12/12 pitch (45°)
- 12"x6" 300x150 mm hole for 16/12 pitch (55°).

Adjust the termination to length

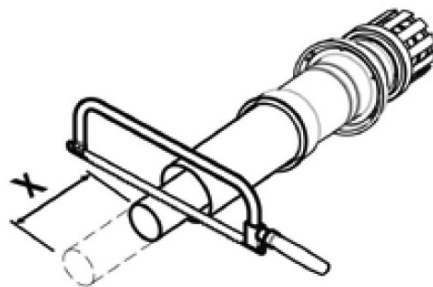
A White outer pipe



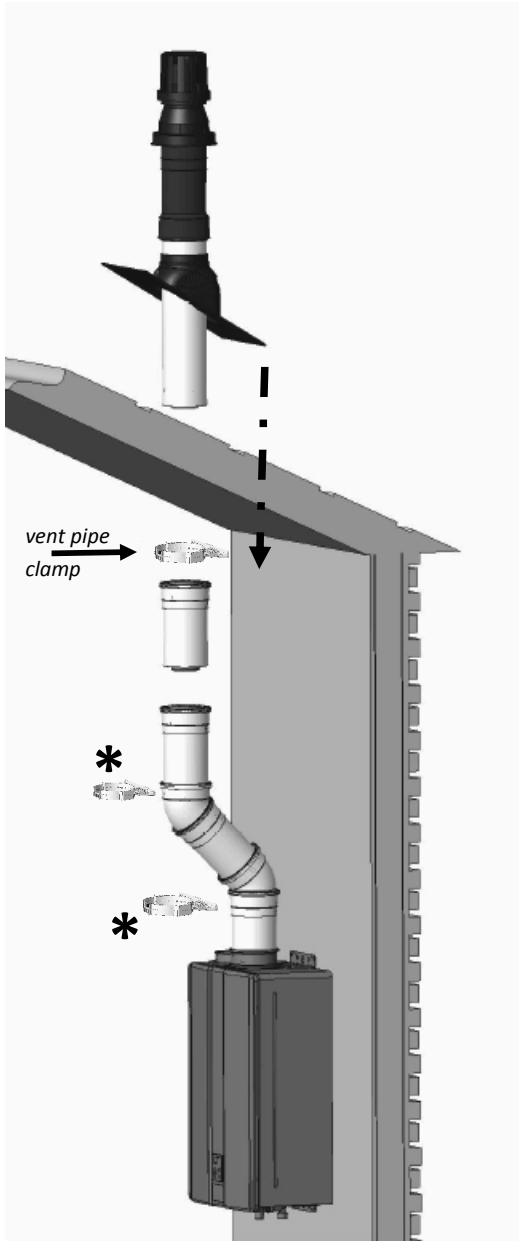
The terminal can be shortened by cutting both the inside and outside pipes with the same length X.

Deburr the sharp edges, otherwise the gaskets might get damaged, which can result in the system no longer being air tight.

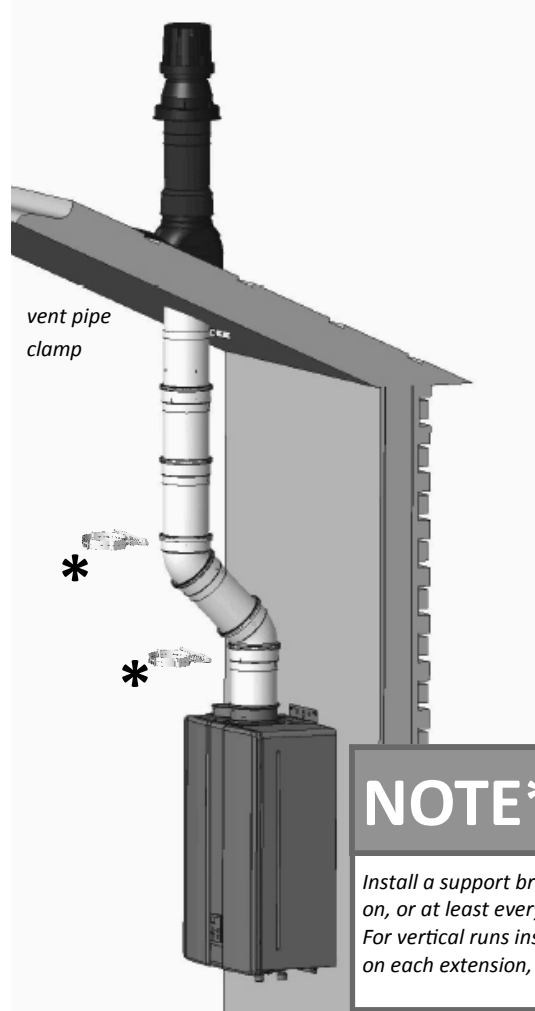
B Grey inner pipe



Mounting the vent system



Vent connections must be firmly pressed together so that the gaskets form an airtight seal. Secure the system with the supplied vent pipe clamp or perforated hanger iron. To ensure optimum joint connection, it is recommended to secure with three #8x1/2in. self tapping screws.

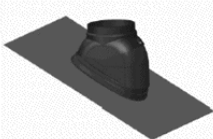
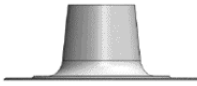





NOTE*

Install a support bracket on each extension, or at least every 39".
For vertical runs install a support bracket on each extension, or at least every 78".

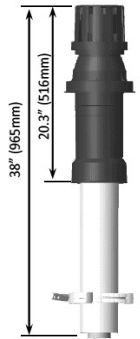
Parts and Dimensions

Universal Components for 2/4 (60-100) and 3/5 (80-125) systems

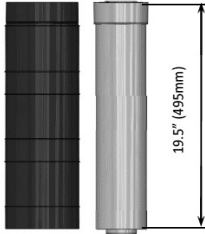
<p>Roof Flashing*</p> 			<p>Roof Flashing Assembly- Flat* Part #: 146141</p> 			<p>Universal Bug Guard* Part #: 224042</p> 		
Roof Pitch	Part No. Shingle Roofs	Part No. Tile Roofs	<p>Flashing for Metal Roof* Part #: 242141</p> 			<p>Pipe Clamp Universal Plastic* Part #: 169044</p> 		
1/12 to 6/12	189950	50171949						
6/12 to 12/12	189951	50171961						
8/12 to 16/12	189952	50171954						

Parts & Dimensions For Rolux® condensing vent system components 2/4 (60-100) system

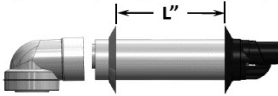
2/4 (60/100) Condensing Roof Discharge Termination 20" above Roof
Part #: 224356NPP



2/4 (60/100) Condensing Roof Termination Extension Kit
Part #: 185348NPP



2/4 (60/100) Condensing Horizontal Termination Kit (termination, elbow, rubber wall plates)



Maximum wall thickness "L"	Part Number
8.7" (221 mm)	229011NPP
12" (305 mm)	229012NPP
21" (533 mm)	229013NPP

2/4 (60/100) Condensing 21 in. Wall Termination (includes 2 wall plates)
Part #: 229016NPP



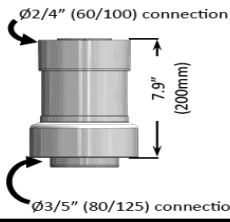
2/4 (60/100) Condensing 90 Degree Diverter Nose
Part #: 710202NPP



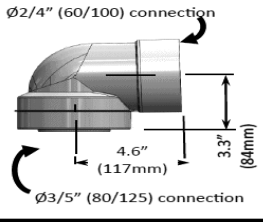
2/4 (60/100) Condensing 45 Degree Diverter Nose
Part #: 710215NPP



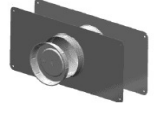
2/4 (60/100) Condensing Vertical Starter Adapter
Part #: 227412NPP



2/4 (60/100) Condensing Horizontal Starter Adapter
Part #: 229253NPP



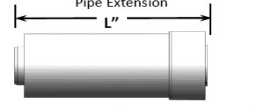
2/4 (60/100) Thimble
Part #: 224055



2/4 (60/100) Rubber Wall Plate
Part #: 710265 (White)
Part #: 710192 (Black)

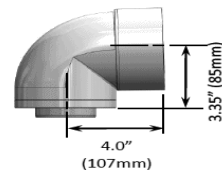


2/4 (60/100) Condensing Vent Pipe Extension

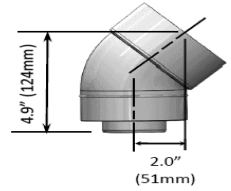


Length "L"	Part Number
10" (254 mm)	229308NPP
19.5" (240 mm)	229309NPP
39" (991 mm)	229310NPP

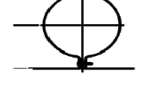
2/4 (60/100) Condensing 90 Degree Elbow
Part #: 229230NPP



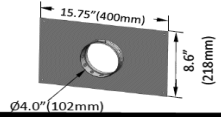
2/4 (60/100) Condensing 45 Degree Elbow (Qty. 2)
Part #: 229205NPP



2/4 (60/100) Pipe Clamp Metal
Part #: 169013

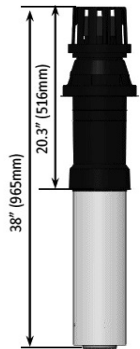


2/4 (60/100) Vent Support Bracket
Part #: 224056



For Rolux® condensing vent system components 3/5 (80/125) system

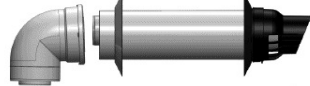
3/5 (80/125) Condensing Roof Discharge Termination 20" above Roof
Part #: 184162PP



3/5 (80/125) Roof Termination Extension Kit
Part #: 185344PP



3/5 (80/125) Condensing Horizontal Termination Kit (termination, elbow, rubber wall plates)

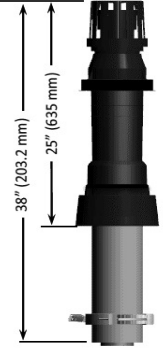


Maximum Wall thickness "L"	Part Number
8.7" (221 mm)	223174PP
12" (305 mm)	223176PP
21" (533 mm)	223177PP

3/5 (80/125) Condensing Raised Horizontal Termination Kit "Snorkel"
Part #: 224047PP



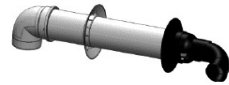
3/5 (80/125) Condensing Roof Discharge Termination 25" (635 mm) above Roof
Part #: 184228PP
 (for 6" B-Vent Flashing)



3/5 (80/125) Condensing Termination Extension
Part #: 185346PP

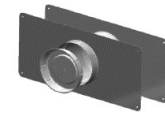


3/5 (80/125) Condensing Horizontal Termination Diverter Kit 19" (483 mm)
Part #: 223186PP



- Kit Includes:
- 14.2" (361mm) Vent Extension (Qty. 3)
 - 90° Elbow
 - 19.5" (495mm) Vent Pipe Extension
 - Special wall terminal
 - Cover

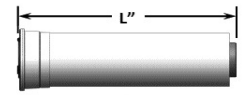
3/5 (80/125) Thimble
Part #: 224045



3/5 (80/125) Rubber Wall Plate
Part No.: 710342 (White)
Part No.: 710602 (Black)

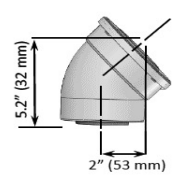


3/5 (80/125) Condensing Vent Pipe Extension

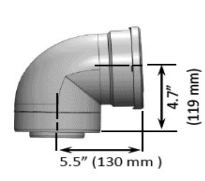


Length "L"	Part Number
10" (254 mm)	224087PP
19.5" (241 mm)	224079PP
39" (991 mm)	224080PP

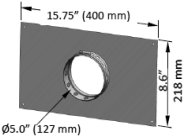
3/5 (80/125) Condensing 45 Degree Elbow (Qty. 2)
Part #: 224077PP



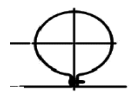
3/5 (80/125) Condensing 90 Degree Elbow
Part #: 224078PP



3/5 (80/125) Vent Support Bracket
Part #: 224049



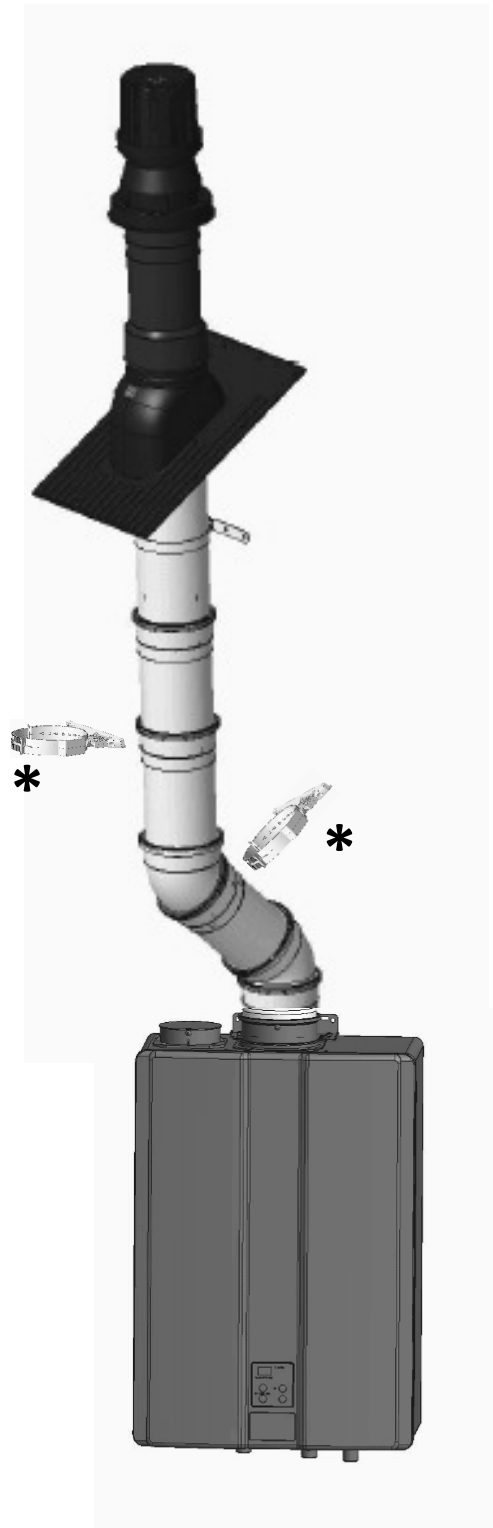
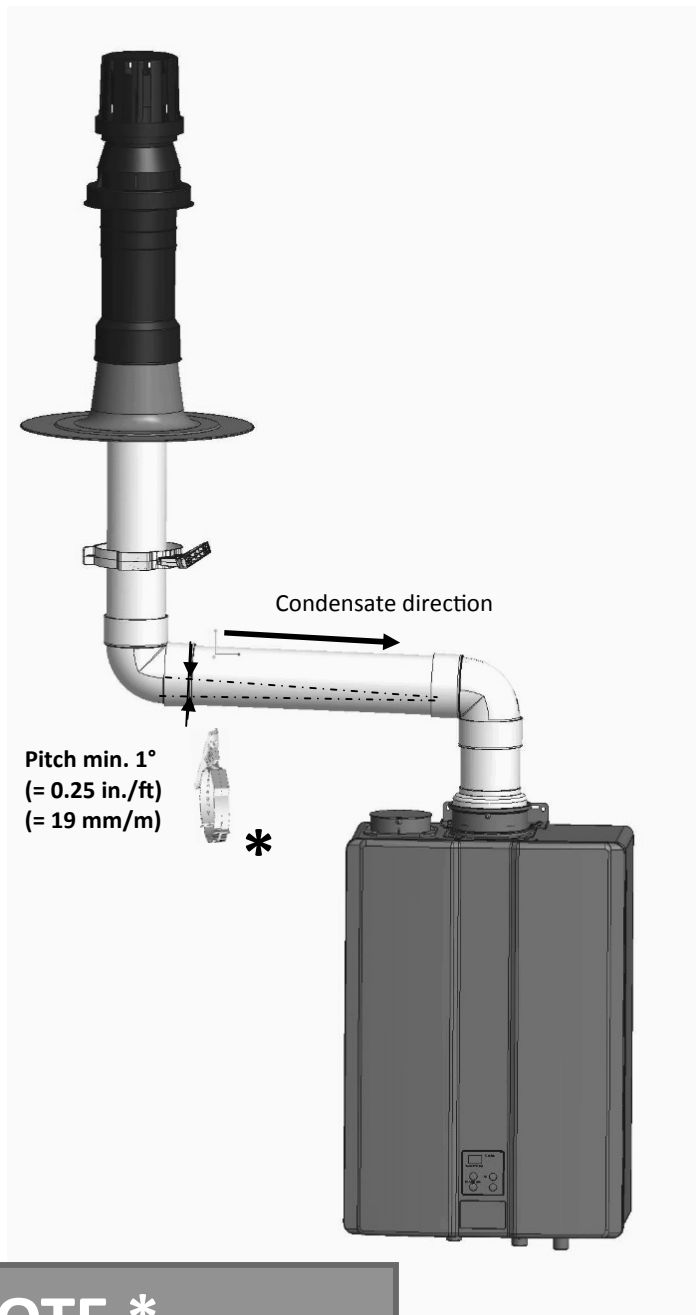
3/5 (80-125) Pipe clamp metal
Part # 169043



ULc S636 Gas Vent-BH Class IIC—110°C/230F*
 *where applicable



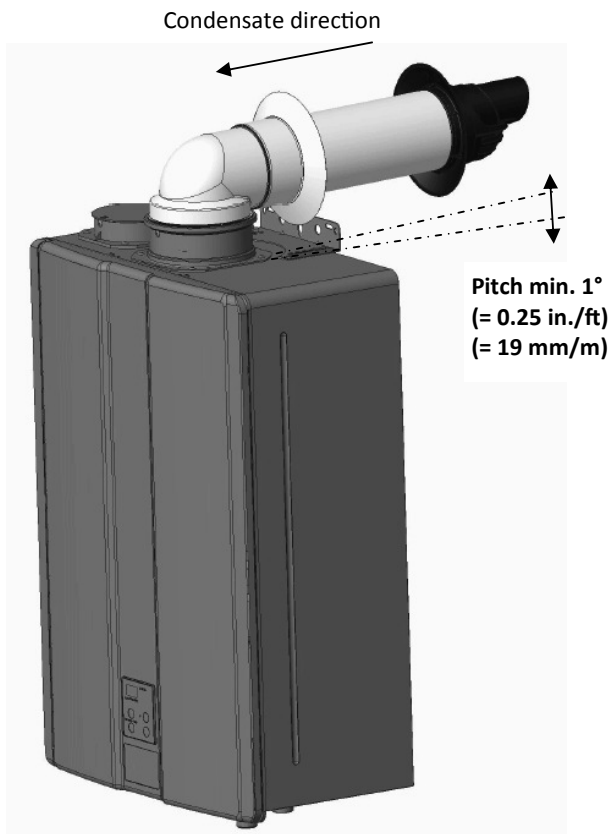
Vertical Vent System Installation examples



NOTE *

Install a support bracket on each extension, or at least every 39".
For vertical runs install a support bracket on each extension, or at least every 78".

Horizontal Vent System Installation examples



NOTE*

*Install a support bracket on each extension, or at least every 39".
For vertical runs install a support bracket on each extension, or at least every 78".*